

## ALARM GENERATOR

TECHNICAL MANUAL  
DYNALEC PART

DIS 61601-000  
61601-000

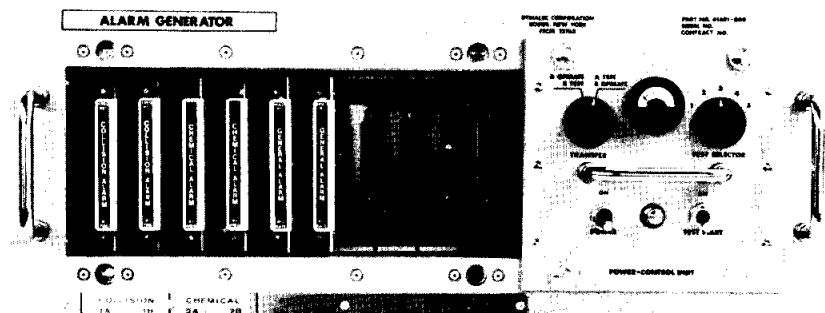
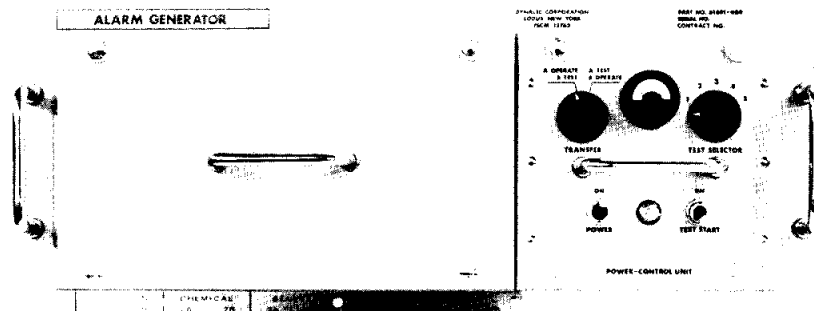
## FEATURES

- Adds the alarm generator capability to the Amplifier-Control Group AN/SIA-120B
- Compact design provides for up to five alarm modules and power control unit with all operator and test controls.
- Alarm modules are plug-in type for easy removal.
- Unit contains three alarms with three redundant ones.
- Redundancy of alarm modules allows for internal testing while the system remains in service. A transfer switch sets up the test/operation mode.
- Generator is operated from the front panel. The left side contains the alarm modules. The operating controls are located on the right side.
- Each alarm module has controls to be used for maintenance adjustment.
- Standard alarms: **Collision Alarm:** Three short 1000 Hz bursts followed by equal off time and repeated.  
**General Alarm:** Simulated gong tone signal.  
**Chemical Alarm:** A steady 1000 Hz tone.
- Unit is panel-mounted and designed to fit into the standard 19-inch electronic equipment rack.
- Special tone alarm generator modules are available on order.

## RELATED EQUIPMENT

Amplifier Control Group AN/SIA-120B

DYNALEC PART 60555-000



# ALARM GENERATOR

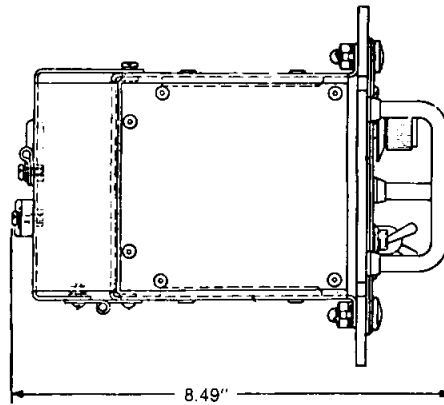
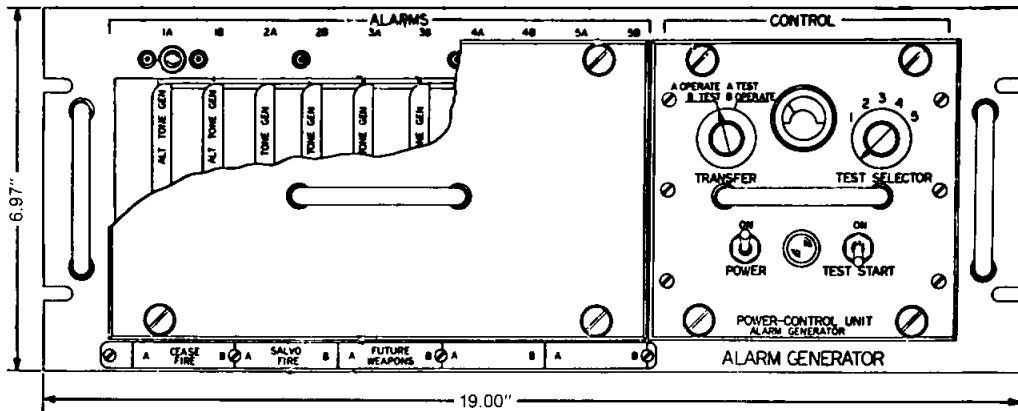
## DESIGN CHARACTERISTICS

Input Power 115 VAC, 60 Hz

## PHYSICAL CHARACTERISTICS

Width	19.00"	48.3 cm
Height	6.97"	17.7 cm
Depth	8.49"	21.6 cm
Weight	16.5 lbs	7.5 kg
Shipping Weight	19 lbs	8.17 kg

## MOUNTING INFORMATION



**DYNALEC**  
CORPORATION

87 WEST MAIN STREET  
SODUS, NEW YORK 14551

TELEPHONE 315-483-69  
or 716-546-8168  
CABLE DYNALEC SODUS  
TELEX 510 250 2382