



DYNAMIC LOUDSPEAKERS LS-387B/SIC and LS-388B/SIC

DESIGN SPECIFICATIONS

MIL-L-24223A

TECHNICAL MANUAL

NAVSEA SE120-AP-MMO-010

ORDERING INFORMATION	SYMBOL NUMBER	NATIONAL STOCK NUMBER	DYNALC PART
LS-387B/SIC	2986	5965-00-296-1808	61716-200
LS-388B/SIC	2987	5965-00-636-2181	61716-201



FEATURES

- Designed to provide clear and intelligible reproduction of speech and alarm signals.
- Proven blast proof by the U.S. Military Testing Laboratory for multiple blasts and stresses common to sea-going vessels, such as humidity, salt, spray, temperature, shock, and vibration.
- Can be used in either a 50 or 70-volt audio system.
- **LS-387B/SIC** provides for internal volume adjustment from -24dB to full volume via coil taps on unit's output transformer.
- **LS-388B/SIC** provides for external volume control in incremental steps from -24dB to full volume.
- Speaker assembly includes loudspeaker driver assembly, audio line matching transformer, and a terminal board.
- Enclosure is of aluminum construction and is designed for bulkhead mounting.

RELATED EQUIPMENT*

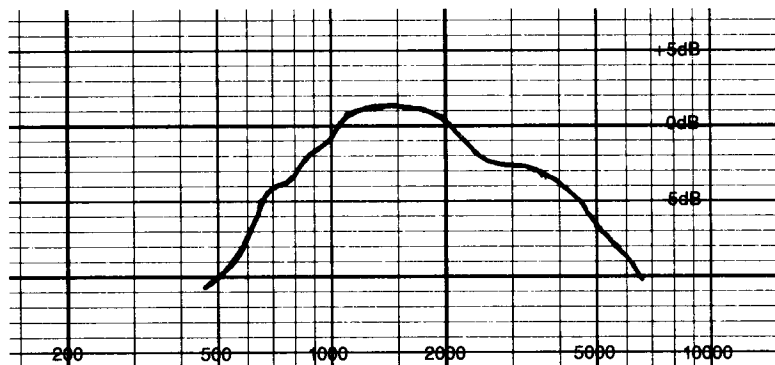
Amplifier Control Groups: AN/SIC-3, AN/SIA-119A, AN/SIA-119A, AN/SIA-120B, AN/SIA-124, AN/SIA-125, OG-109/SIA, OG-110/SIA and MARICOM Maritime Announcing System.

Amplifier-Oscillator Groups: AN/SIA-114B, AN/SIA-115A, AN/SIA-116, AN/SIA-117B, AN/SIA-118A and AN/SIA-123.

Amplifier Groups: AM-2316C/SIA and AM-2316D/SIA.

*Separate data sheets are available on these systems.

TYPICAL FREQUENCY RESPONSE CURVE



DESIGN SPECIFICATIONS

Input Level
Input Impedance

50 or 70 Vrms (7.5 Volt Amps)
653 Ohms at 70 Volts
333 Ohms at 50 Volts
500 to 5000 Hz
106dB at 10 feet*

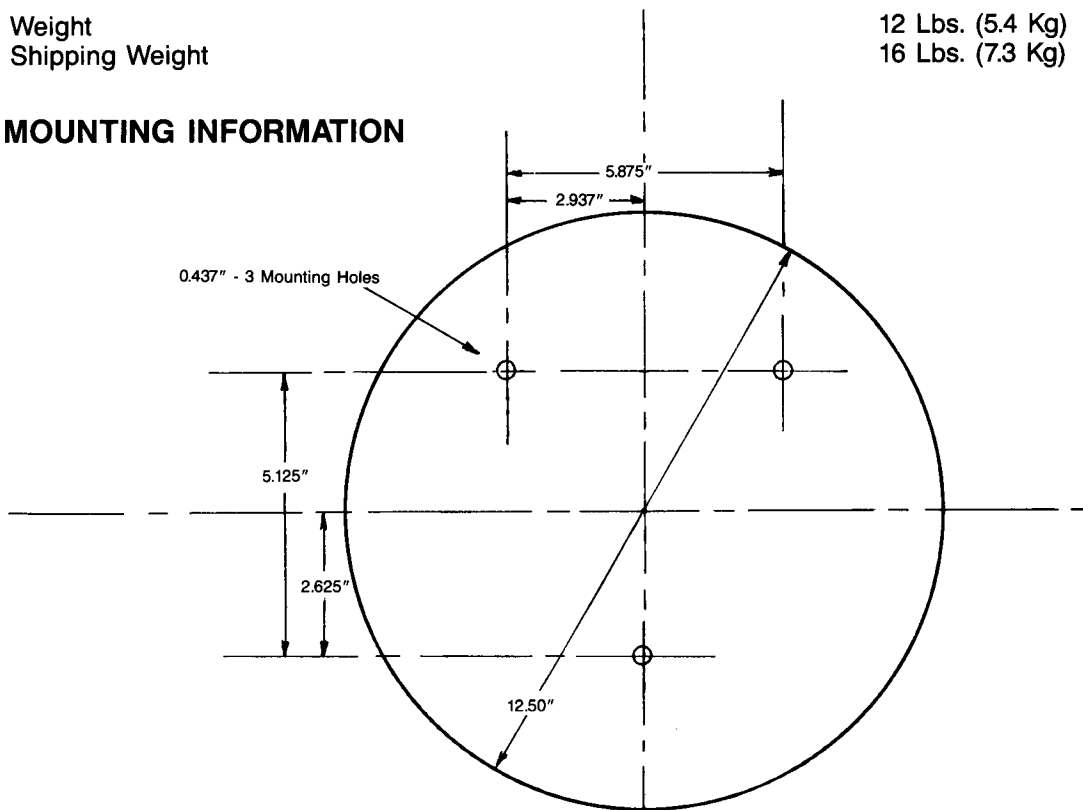
Frequency Response
Output Sound Pressure

Weight
Shipping Weight

12 Lbs. (5.4 Kg)
16 Lbs. (7.3 Kg)

*Ref. 0.0002 Dynes/cm²

MOUNTING INFORMATION



DYNALEC CORPORATION

For over twenty-five years, Dynalec Corporation has established a solid reputation for quality, design excellence and manufacturing expertise. With unsurpassed attention to detail and strict adherence to specifications and all other standards, Dynalec continues to strive to provide its customers with reliable products. Dynalec is ready to discuss or participate in any project, offer information about its products, or quote on any design.



87 WEST MAIN STREET
P.O. BOX 188
SODUS, NEW YORK 14551-0188

TELEPHONE 315-483-6923
CABLE DYNALEC SODUS
TELEX 322392



DYNAMIC LOUDSPEAKER LS-388B/SIC